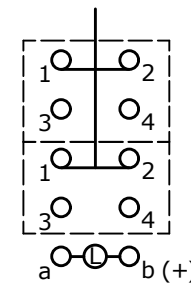
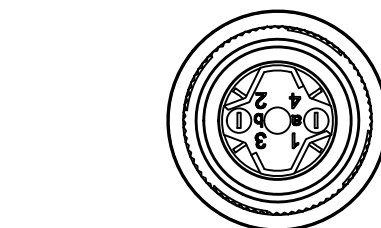
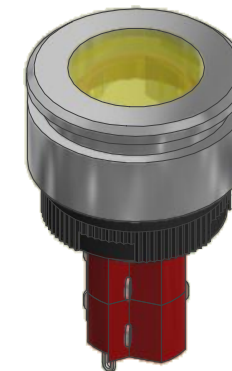
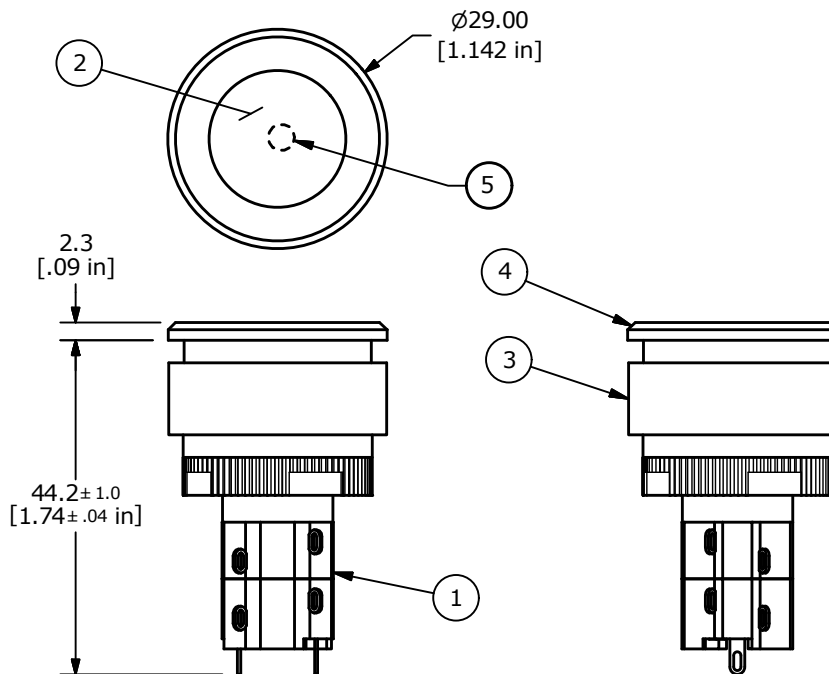


RECOMMEND PANEL MOUNTING  
3.0 Max. Panel Thk.

$\phi 25.00^{+0.20}_{-0.00}$   
[.984<sup>±.008</sup><sub>-.000</sub> in]



DPDT  
CONTACT CONFIGURATION

▲ Parts List

ITEM	QTY	PART NUMBER	DESCRIPTION
1	1	F060603	LASEEV12
2	1	F060206	YELLOW LENS
3	1	F051705	V3 FLUSH MOUNT RETAINER
4	1	F051704	V3 FLUSH MOUNT BEZEL
5	1	F050424	YELLOW 24VDC LED

NOTES:

1. ALL DIMENSIONS IN MM [INCH].
2. GENERAL TOLERANCE: x.x = ± 0.4  
x.xx = ± 0.25
3. TERM. NUMBERS FOR REF. ONLY.
- ▲ 4. RATING: 5A @250VAC  
8A @125VAC  
.2A @250VDC  
6A @24VDC
5. INSULATION: 1,000 MΩ MIN.
6. DIELECTRIC STRENGTH: 2000V FOR 1 MIN.
7. SEALED TO IP65.
8. TRAVEL: 3.0mm FULL TRAVEL, 2.0mm LATCH
9. ELECTRICAL LIFE: >50,000 CYCLES
10. OPERATING TEMP: -25°C to +55°C
11. PANEL THICKNESS: 0.5 to 3.0mm
- ▲ 12. LED VOLTAGE: 24VDC YELLOW LED
13. ▲ DENOTES CRITICAL PARAMETER.
- ▲ 14. PACKAGE: BOX/20 PER



B	23703	corrected diameter from 30mm to 29mm	12/11/18	MW
A	18148	RELEASED FOR PRODUCTION	6/20/08	BLR
REV	PCR NO	DESCRIPTION	DATE	BY

TITLE LASEEV32KYELYEL				
SCALE	DATE	DR	DWG	REV
1:1	6/20/2008	BLR	XF0758P	B

THE INFORMATION CONTAINED IN THIS DOCUMENT IS PROPRIETARY TO E-SWITCH AND IS NOT TO BE COPIED OR TRANSFERRED